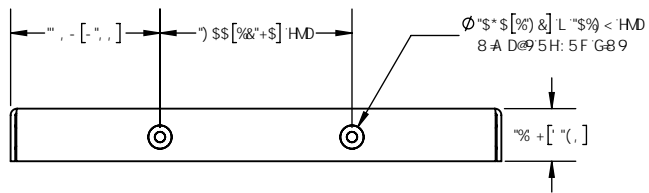
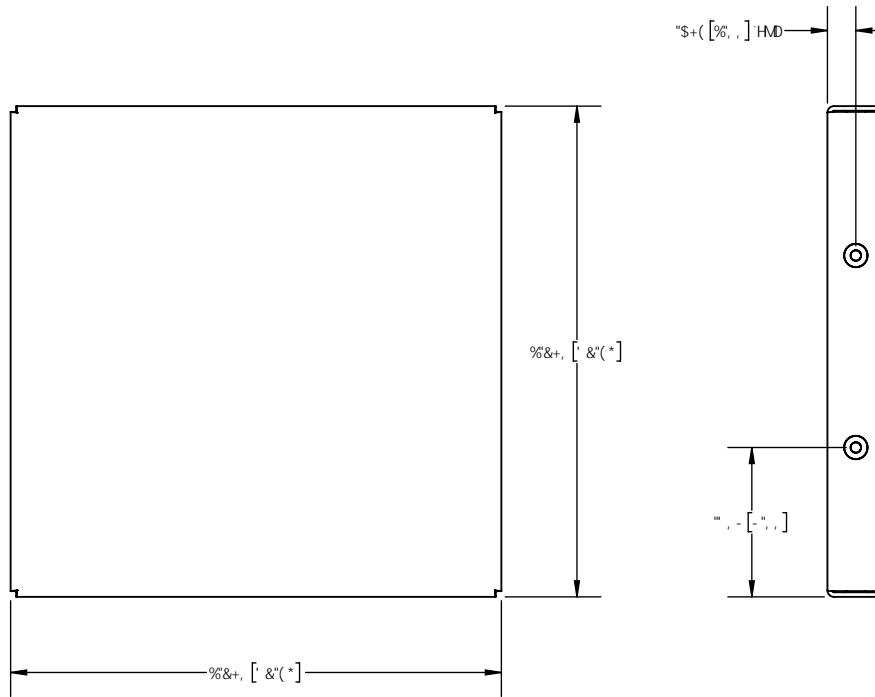
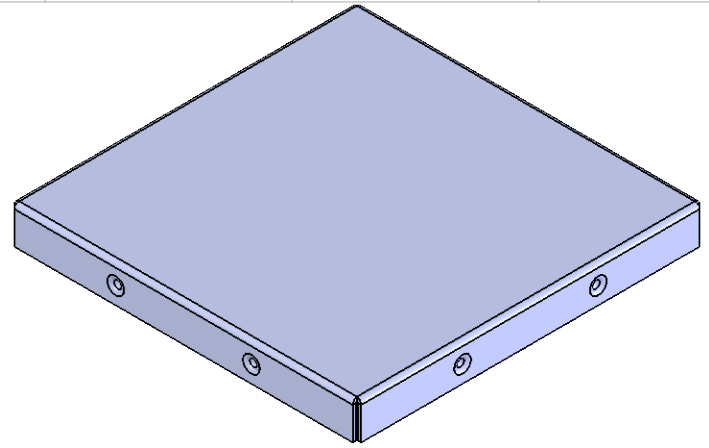


BC HPG

% A 5H9F-5 @ "\$%&" HB D@5H98 GH99@6F ÷ <H: B-G<



PROPRIETARY NOTICE: THESE DRAWINGS, LISTS OR SPECIFICATIONS ARE THE CONFIDENTIAL INFORMATION AND/OR TRADE SECRETS OF 3GMETALWORX INC. AND ISSUED IN STRICT CONFIDENCE...

IB @9GC H: 9FK 49 CD97 = 96
I #A HD @9F SB 7 9
B 7 < 9G ±\$S\$S

FC < G
7 C A D@5 B 7 9
85394* #9

85HP %!\$%&*



| | |
|---------------|----------------|
| D5FHBI A 69F | F 9J " |
| : @!G (\$ (7 | \$ |
| 8 9G7 F-DHC B | : @L |
| G7 5 @9 & % | G< 99H % C : % |